



## ABC-80 80" BOTTLE COOLER

INCLUDE 3 YEAR PARTS + LABOR / 5 YEAR COMPRESSOR WARRANTY

### Dimensions

Exterior Dimensions (WxDxH)	80.47" x 28.46" x 33.43"
Interior Dimensions (WxDxH)	
Weight	273 lbs
Packaging Dimensions (WxDxH)	
Capacity Cans	1,575
Capacity Bottles	715
Capacity (L)	736

### Cooling

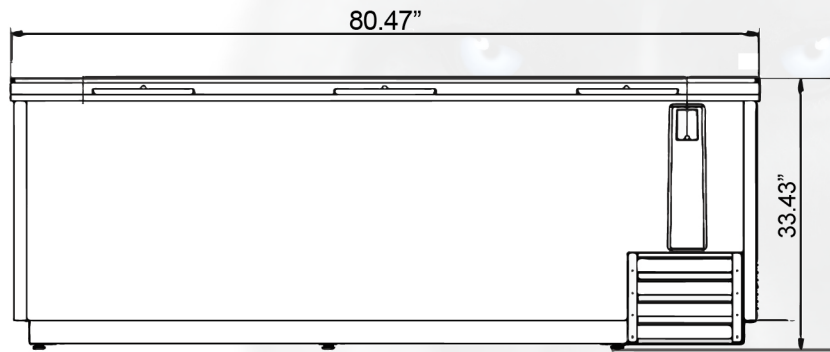
Temperature Range	32° - 41° F
Refrigerant	R290
Maximum Ambient	95° F
Temperature Rating	N Class
Defrosting	Automatic
Temperature Display	No
Temperature Controller	Thermostat
H/P	3/8

### Construction

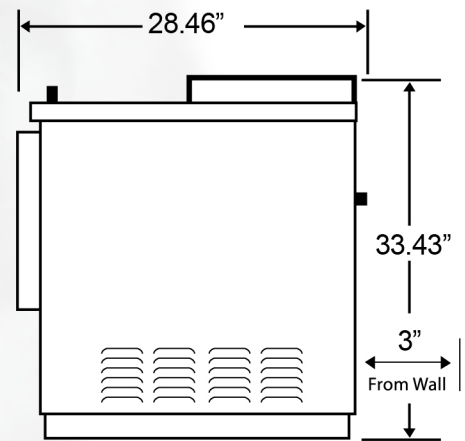
Exterior Material	EGI(Electro Galvanized Iron) + Black Embossed Painting
Insulation Material	Cyclopentane
Shelf Material	SWRM-B + PE Coating
Shelf Load Capacity	Divide
# Shelves	4

### Electrical

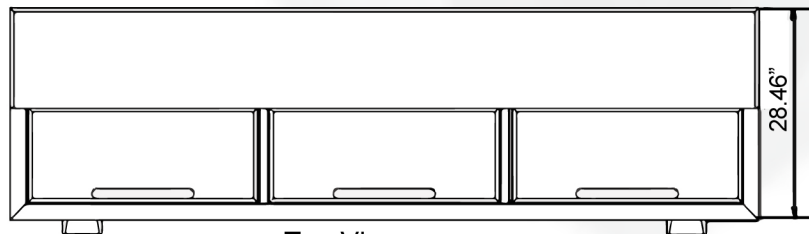
Voltage	115
Amps	3.5A
Hz	60
Phase	10



Front View



Side View



Top View



Intertek